

# BM930

Super Heavy Duty

- Silent motor.
- Motor automatically sets limits.
- In case of energy loss, drapery can be manually operated.
- Motor can start operating by pulling on the drapes themselves.
- Comes with intermediate functions.
- Soft start and stop.
- It can be operated with a radio receiver, switch and/or network control.
- The curtain rod has a design for traditional or ripplefold curtains.
- Durable textile belt system.
- Can be curved.
- 5 year warranty
- Compatible with intelligent system with Neo interface (control 4, google assistant, alexa amazon, etc).

### MOTOR SPECS

DIMENSIONS	327 x 60 x 50mm
WEIGHT	1.3 Kg
VOLTAGE	110V ac
AMPERAGE	1.5 Amps
FREQUENCY	50/ 60Hz
SPEED	0.12m per second
TORQUE	2Nm



Radio

### ANATOMY



TOP PART OF MOTOR



BOTTOM PART OF MOTOR

1. Electric connection
2. Dry contact interface
3. Program button
4. LED indicator
5. Antennae



A  
B  
C  
D  
E

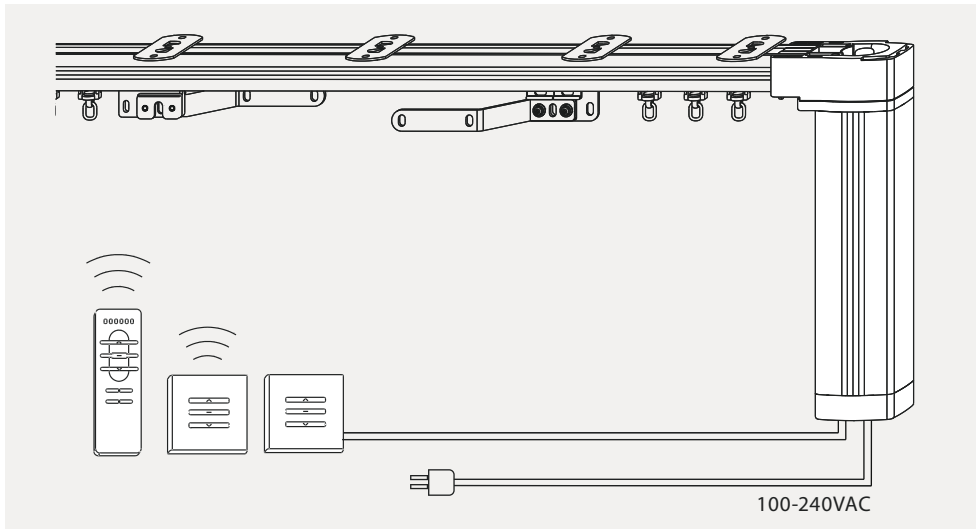
- A. Clutch
- B. Transmission
- C. Motor
- D. Circuit board
- E. Current adapter



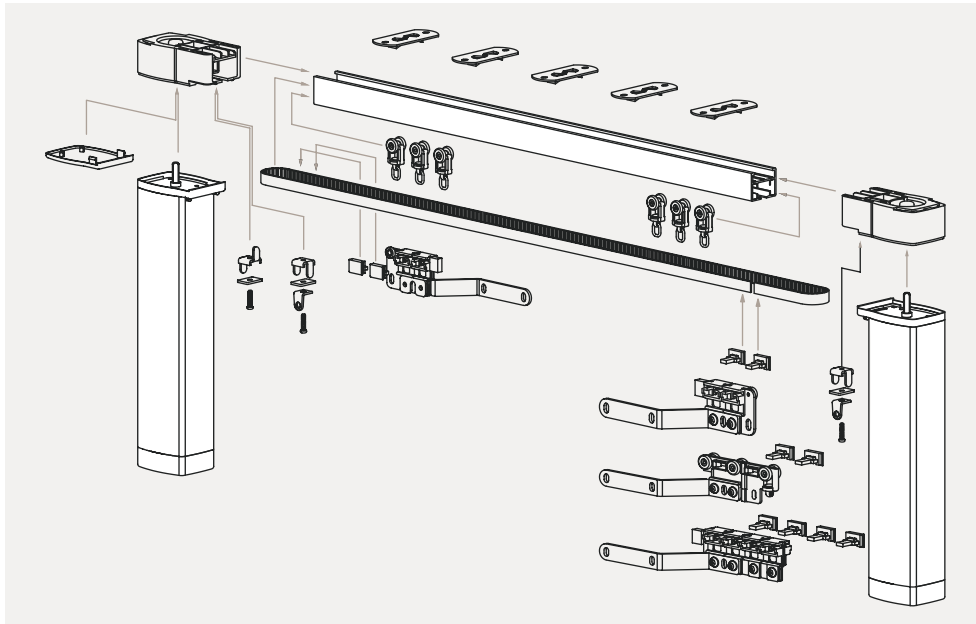
### LOAD CAPACITY

	4M	6M	8M	12M	
	×	80 Kg	80 Kg	60 Kg	40 Kg
	R400	60 Kg	50 Kg	45 Kg	30 Kg
	R2000	60 Kg	50Kg	45 Kg	30 Kg
	R400 × 2	40Kg	30Kg	×	×

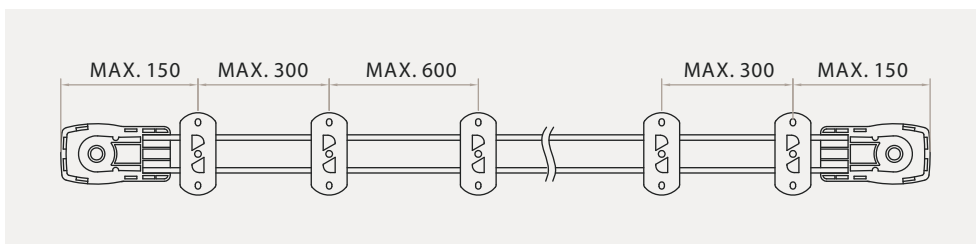
## CONNECTION DIAGRAM



## MOTORIZED RAIL SYSTEM PIECES



## SUPPORT SEPARATION



## ACCESSORIES

<b>RAIL</b> RAM-426 RAM-580	
<b>TEXTILE BELT</b> BTM-12	
<b>MASTER CARRIER</b> MIDM-101	
<b>RIPPLEFOLD MASTER CARRIER</b> MRLM-103	
<b>MOTOR CONTROL UNIT</b> UMC-360	
<b>END CAP</b> TFM-001	
<b>SILENT CARRIER</b> CSM-1000	
<b>RIPPLEFOLD CARRIER</b> CRLM-600	
<b>RAIL CONNECTOR</b> RAM-UNIÓN	
<b>CEILING BRACKET</b> STM-003	
<b>CIRCULAR BRACKET</b> SCM-004	
<b>WALL BRACKET</b> SPM-002	

## INSTALLATION DIMENSIONS

